

KombiSIGN 71 / Andon 860

Fixing bracket BK



Part No.: 975.883.01

MECHANICAL DATA	
Length	138 mm
Width	125 mm
Height	50 mm
Housing colour	Black
Weight with packaging	333 g
Product weight	333 g

APPROVAL DATA	
WEEE	No
Conforms with RED directive	No
Conforms with ATEX-directive	No
Conforms with CCC	No
Conforms with UL	No
Conforms with FCC	No
Conforms with IC	No
EAC certificate available	No
Conforms with AS-I	No
ICAO Certification	No
Conforms with DNV	No
Conforms with RoHS CN	No

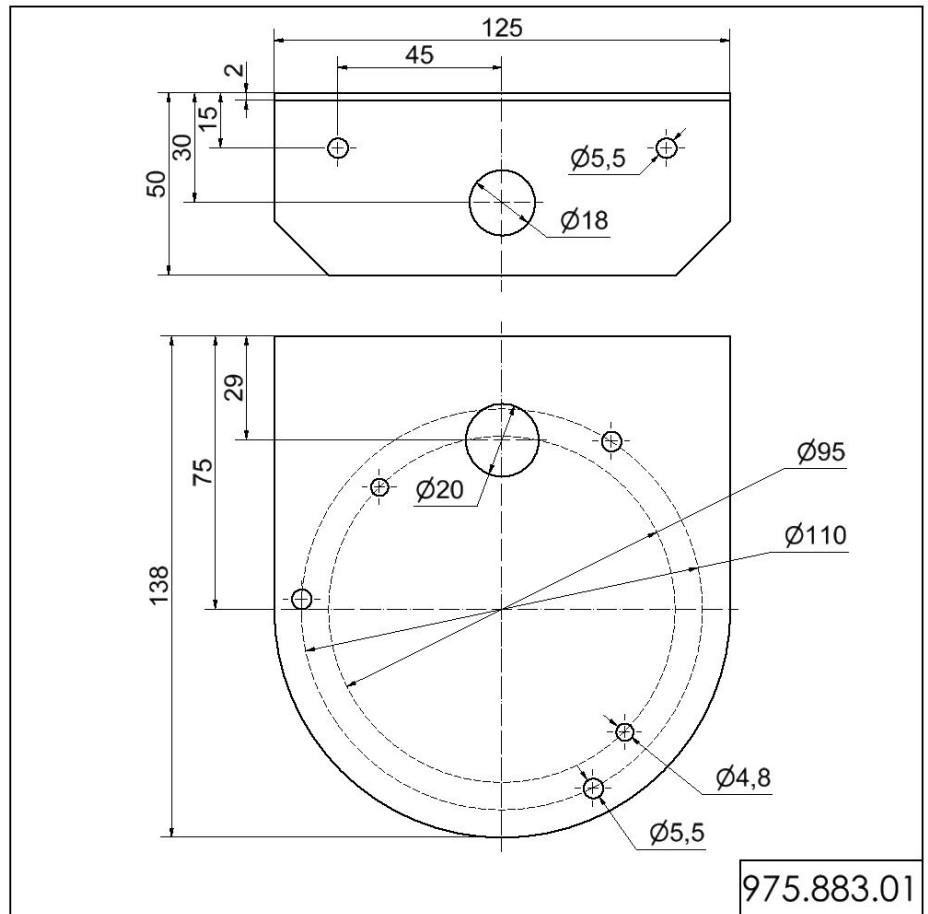


For additional installation and mounting information, refer to the appropriate user guide at www.werma.com. This printed copy is for information only and is subject to alteration.

KombiSIGN 71 / Andon 860

Fixing bracket BK

DRAWING



! For additional installation and mounting information, refer to the appropriate user guide at www.werma.com. This printed copy is for information only and is subject to alteration.